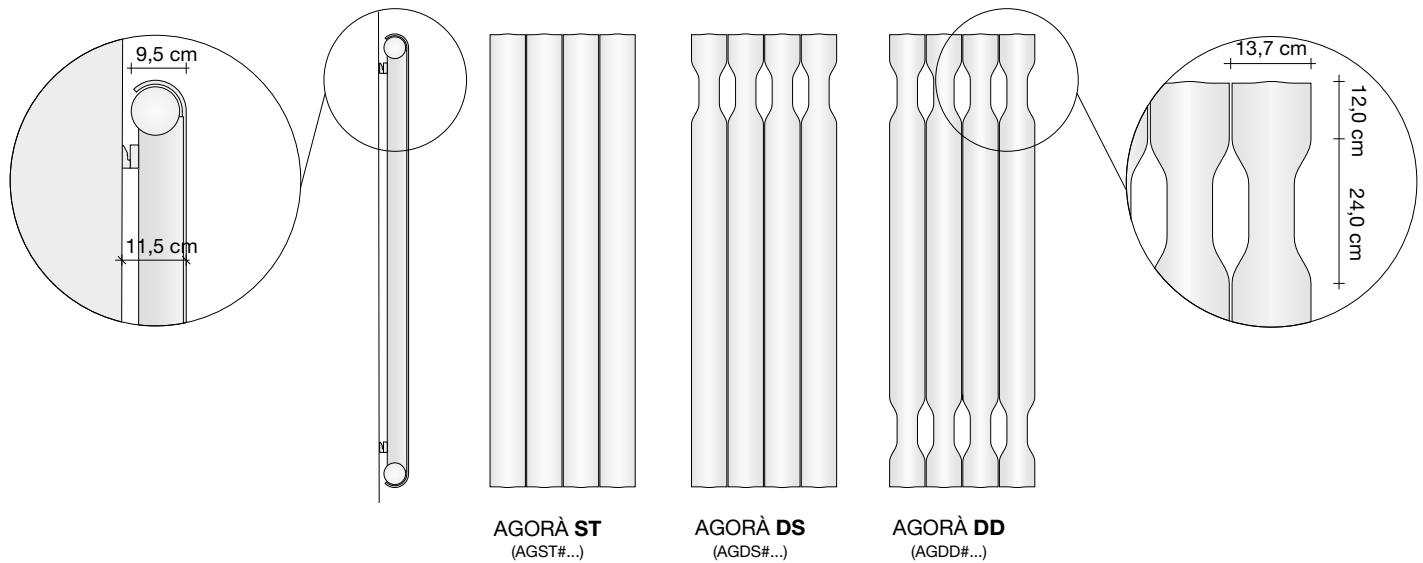


AGORA' VERTICAL HYDRAULIC

DESIGN radiator with hydraulic system in ALUMINUM

Price for radiator in Standard White code 9010 where specified and standard connectors – VAT and transport excluded.



AGORÀ ST
(AGST#...)

AGORÀ DS
(AGDS#...)

AGORÀ DD
(AGDD#...)

Product code **AGST#180005R05ST9010R12**

AGST#180005	Article code specified in the price table
R05	Connector code see technical datasheet
ST	Standard support code
9010	Colour/finish code specified in the Official TUBES COLOUR CHART
R12	Connector code

ADDITIONAL COLOUR CHARGES

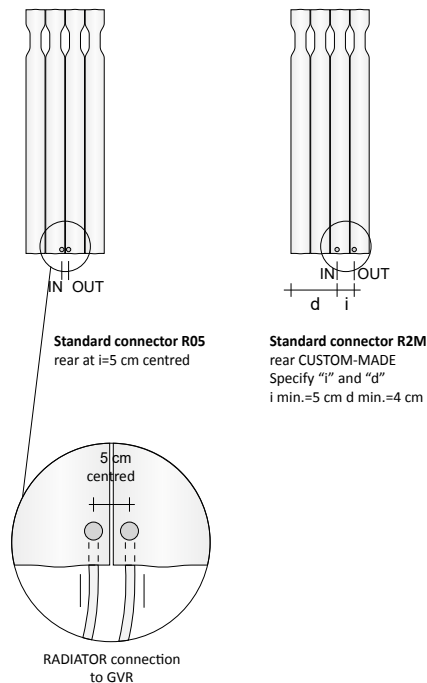
Finishes and Anodizing see page. 5 or the colour table provided at the end of this price list.

REAR CONNECTORS

These are designed for connection to the system via GVR (Remote Valve Assembly) supplied as an accessory. This type of connector, which must be specified in the order, is supplied AT NO additional charge.

traditional EXTERNAL CONNECTORS

These are designed for connection to the system via a TRADITIONAL Valve and Lockshield, supplied as accessories. This type of connector, which must be specified in the order, is supplied WITH an additional charge. The distance from the connector center to the wall is equal to 7 cm.

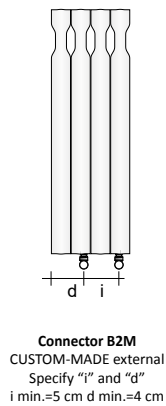


Standard connector R05
rear at i=5 cm centred

Standard connector R2M
rear CUSTOM-MADE
Specify "i" and "d"
i min.=5 cm d min.=4 cm

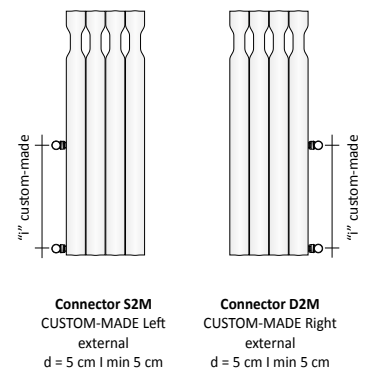
RADIATOR connection to GVR

CUSTOM-MADE connectors upon request:



Connector B2M
CUSTOM-MADE external
Specify "i" and "d"
i min.=5 cm d min.=4 cm

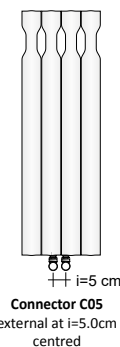
CUSTOM-MADE connectors upon request:



Connector S2M
CUSTOM-MADE Left
external
d = 5 cm i min 5 cm

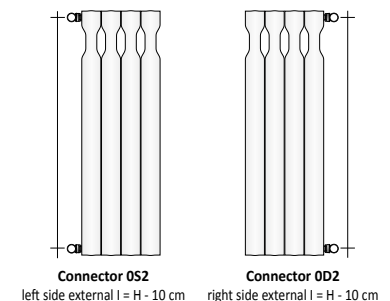
Connector D2M
CUSTOM-MADE Right
external
d = 5 cm i min 5 cm

Connectors upon request:



Connector C05
external at i=5.0 cm
centred

Connectors upon request:



Connector 0S2
left side external I = H - 10 cm

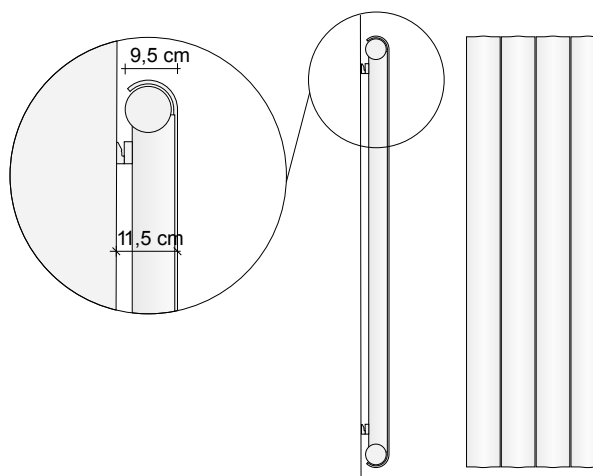
Connector 0D2
right side external I = H - 10 cm

AGORA' ST (WITHOUT DECORATION) VERTICAL HYDRAULIC

DESIGN radiator with hydraulic system in ALUMINUM

Price for radiator in Standard White code 9010 where specified and standard connectors – VAT and transport excluded.

ADDITIONAL COLOUR CHARGES Finishes and Anodizing see page. 5 or the colour table provided at the end of this price list.



AGORA' ST
(AGST#...)

SIZES AVAILABLE TO ORDER:

All the sizes in HEIGHT every 1 mm starting from 40 cm up to 220 cm area AVAILABLE TO ORDER and the price is calculated upon request.

ST = Without Decorations

Height (cm)	40			50			60			80			90			100			140		
	No of El.	L (cm)	Price (€)	Watt ΔT. 50°C	Watt ΔT. 30°C	Price (€)	Watt ΔT. 50°C	Watt ΔT. 30°C	Price (€)	Watt ΔT. 50°C	Watt ΔT. 30°C	Price (€)	Watt ΔT. 50°C	Watt ΔT. 30°C	Price (€)	Watt ΔT. 50°C	Watt ΔT. 30°C	Price (€)	Watt ΔT. 50°C	Watt ΔT. 30°C	Price (€)
3	41,7	302	156	374	193		446	229		585	297		653	330		719	362		972	484	
4	55,7	402	208	499	257		594	305		780	396		870	440		959	483		1296	646	
5	69,7	503	260	624	321		743	381		975	495		1088	550		1199	603		1621	808	
6	83,7	604	313	748	385		891	457		1170	594		1306	660		1439	724		1945	969	
7	97,7	704	364	873	450		1040	533		1365	693										
8	111,7	805	417	998	514		1188	609		1560	792										
9	125,7	905	468	1122	578		1337	685		1755	891										
10	139,7	1006	521	1247	642		1485	761		1950	990										
11	153,7	1106	572	1372	707		1634	838		2145	1089										
12	167,7	1207	625	1497	771		1782	914		2340	1188										
13	181,7	1308	677	1621	835		1931	990		2535	1288										
*14	195,7	1408	729	1746	899																
*15	209,7	1509	781	1871	964																
*16	223,7	1609	833	1995	1028																

* For 14, 15 and 16 elements the center distance is equal to L-14 cm and not 5 cm centered

Height (cm)	160			180			190			200			210			220					
	No of El.	L (cm)	Price (€)	Watt ΔT. 50°C	Watt ΔT. 30°C	Price (€)	Watt ΔT. 50°C	Watt ΔT. 30°C	Price (€)	Watt ΔT. 50°C	Watt ΔT. 30°C	Price (€)	Watt ΔT. 50°C	Watt ΔT. 30°C	Price (€)	Watt ΔT. 50°C	Watt ΔT. 30°C	Price (€)			
3	41,7	1091	541	1204	598		1258	625		1311	652		1363	679		1413	704				
4	55,7	1454	721	1605	797		1678	834		1748	869		1817	905		1885	939				
5	69,7	1818	901	2006	996		2097	1042		2185	1087		2272	1131		2356	1174				
6	83,7	2181	1081	2407	1195		2516	1250		2622	1304										

The radiator can be ordered with 2 elements upon request, which corresponds to a width of 27.7 cm. To generate a quote, send a request to the engineering department.

Standard convertible valves – Z1TLNR

Code	Description	Finishes	Price (€)
Z1TLNR#ANR12...	Paired Valve + Lockshield - Copper angle 1/2" and/or Multi-layer 1/2"	Standard White Colour C1/C2/C3	
Z1KITRAC#001	6-part connector KIT: 2x Z1RAC#R12CRO / 2x Z1RAC#R14CRO / 2x Z1AC#M03CRO	Glossy Chrome	
Z1KITRAC#002	8-part connector KIT: 2x Z1RAC#R12CRO / 2x Z1RAC#R14CRO / 2x Z1RAC#M03CRO / 2x Z1RAC#M01CRO	Glossy Chrome	

Remote valve assembly – GVR

For more information on the choice of valves, see p. 312

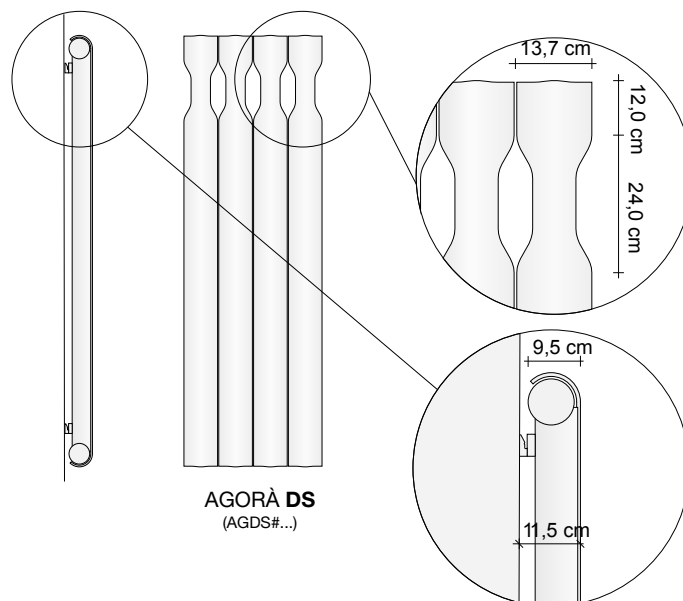
Code	Description	Finishes	Price (€)
GVR#1	RECESSED Valve that can be fitted with a thermostat and Lockshield assembly for REMOTE connection	Chromed Plated	
GVRTG#1...	RECESSED thermostatic valve and Lockshield assembly for REMOTE connection*	Chromed Plated	
GVRC#1...	RECESSED Valve that can be fitted with a thermostat and Lockshield assembly for REMOTE connection	Coloured Coloured	
GVRTC#1...	RECESSED thermostatic valve and Lockshield assembly for REMOTE connection*	Coloured Coloured	

Plated finishes: See table of Tubes special finishes
Colored Finishes: see categories C0, C1, C2 and C3 of the Tubes color chart
* The price does not include the cost of the thermostatic head (see page 320)

AGORA' DS (ONE DECORATION) VERTICAL HYDRAULIC

ELEMENTS hydraulic collection

Price for radiator in Standard White code 9010 where specified and standard connectors – VAT and transport excluded.



AGORA' DS
(AGDS#...)

DS = Single Decoration at the top of the radiator

Height (cm)	80				90				100				140				160				180				190			
No of El.	L (cm)	Watt ΔT. 50°C	Watt ΔT. 30°C	Price (€)	Watt ΔT. 50°C	Watt ΔT. 30°C	Price (€)	Watt ΔT. 50°C	Watt ΔT. 30°C	Price (€)	Watt ΔT. 50°C	Watt ΔT. 30°C	Price (€)	Watt ΔT. 50°C	Watt ΔT. 30°C	Price (€)	Watt ΔT. 50°C	Watt ΔT. 30°C	Price (€)	Watt ΔT. 50°C	Watt ΔT. 30°C	Price (€)	Watt ΔT. 50°C	Watt ΔT. 30°C	Price (€)			
3	41,7	585	297		653	330		719	362		972	484		1091	541		1204	598		1258	625							
4	55,7	780	396		870	440		959	483		1296	646		1454	721		1605	797		1678	834							
5	69,7	975	495		1088	550		1199	603		1621	808		1818	901		2006	996		2097	1042							
6	83,7	1170	594		1306	660		1439	724		1945	969		2181	1081		2407	1195		2516	1250							
7	97,7	1365	693																									
8	111,7	1560	792																									
9	125,7	1755	891																									
10	139,7	1950	990																									
11	153,7	2145	1089																									
12	167,7	2340	1188																									
13	181,7	2535	1288																									

Height (cm)	190				200				210				220			
No of El.	L (cm)	Watt ΔT. 50°C	Watt ΔT. 30°C	Price (€)	Watt ΔT. 50°C	Watt ΔT. 30°C	Price (€)	Watt ΔT. 50°C	Watt ΔT. 30°C	Price (€)	Watt ΔT. 50°C	Watt ΔT. 30°C	Price (€)	Watt ΔT. 50°C	Watt ΔT. 30°C	Price (€)
3	41,7	1258	625		1311	652		1363	679		1413	704				
4	55,7	1678	834		1748	869		1817	905		1885	939				
5	69,7	2097	1042		2185	1087		2272	1131		2356	1174				
6	83,7	2516	1250		2622	1304										

The radiator can be ordered with 2 elements upon request, which corresponds to a width of 27.7 cm. To generate a quote, send a request to the engineering department.

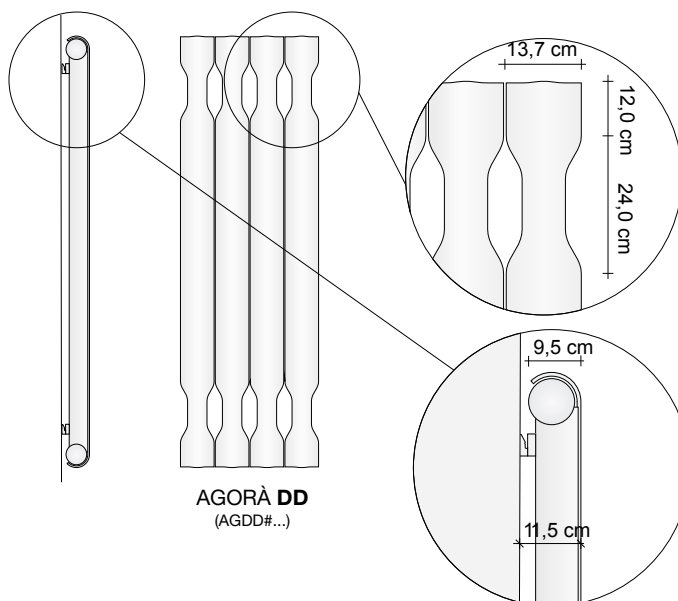
ADDITIONAL COLOUR CHARGES

Finishes and Anodizing see page. 5 or the colour table provided at the end of this price list.

AGORA' DD (TWO DECORATION) VERTICAL HYDRAULIC

ELEMENTS hydraulic collection

Price for radiator in Standard White code 9010 where specified and standard connectors – VAT and transport excluded.



AGORA' DD
(AGDD#...)

DD = Two Decorations at the top and bottom of the radiator

Height (cm)	140			160			180			190			200			210			220			
No of El.	L (cm)	Watt ΔT. 50°C	Watt ΔT. 30°C	Price (€)	Watt ΔT. 50°C	Watt ΔT. 30°C	Price (€)	Watt ΔT. 50°C	Watt ΔT. 30°C	Price (€)	Watt ΔT. 50°C	Watt ΔT. 30°C	Price (€)	Watt ΔT. 50°C	Watt ΔT. 30°C	Price (€)	Watt ΔT. 50°C	Watt ΔT. 30°C	Price (€)	Watt ΔT. 50°C	Watt ΔT. 30°C	Price (€)
3	41,7	972	484		1091	541		1204	598		1258	625		1311	652		1363	679		1413	704	
4	55,7	1296	646		1454	721		1605	797		1678	834		1748	869		1817	905		1885	939	
5	69,7	1621	808		1818	901		2006	996		2097	1042		2185	1087		2272	1131		2356	1174	
6	83,7	1945	969		2181	1081		2407	1195		2516	1250		2622	1304							

The radiator can be ordered with 2 elements upon request, which corresponds to a width of 27.7 cm. To generate a quote, send a request to the engineering department.

ADDITIONAL COLOUR CHARGES

Finishes and Anodizing see page. 5 or the colour table provided at the end of this price list.

Standard convertible valves – Z1TLNR

	Code	Description	Finishes	Price (€)
	Z1TLNR#ANR12...	Paired Valve + Lockshield - Copper angle 1/2" and/or Multi-layer 1/2"	Standard White Colour C1/C2/C3	
	Z1KITRAC#001	6-part connector KIT: - 2x Z1RAC#R12CRO - 2x Z1RAC#R14CRO - 2x Z1AC#M03CRO	Glossy Chrome	
	Z1KITRAC#002	8-part connector KIT: - 2x Z1RAC#R12CRO - 2x Z1RAC#R14CRO - 2x Z1RAC#M03CRO - 2x Z1RAC#M01CRO	Glossy Chrome	

Remote valve assembly – GVR

For more information on the choice of valves, see p. 312

	Code	Description	Finishes	Price (€)
	GVR#1	RECESSED Valve that can be fitted with a thermostat and Lockshield assembly for REMOTE connection	Chromed Plated	
	GVRTG#1...	RECESSED thermostatic valve and Lockshield assembly for REMOTE connection*		
	GVRC#1...	RECESSED Valve that can be fitted with a thermostat and Lockshield assembly for REMOTE connection	Coloured Coloured	
	GVRTC#1...	RECESSED thermostatic valve and Lockshield assembly for REMOTE connection*		
Plated finishes: See table of Tubes special finishes Colored Finishes: see categories C0, C1, C2 and C3 of the Tubes color chart * The price does not include the cost of the thermostatic head (see page 320)				